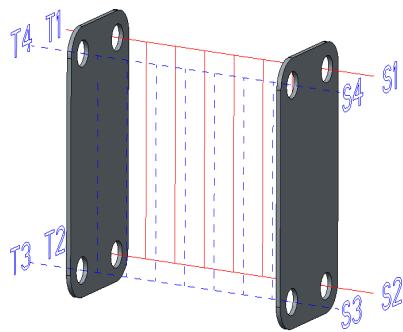


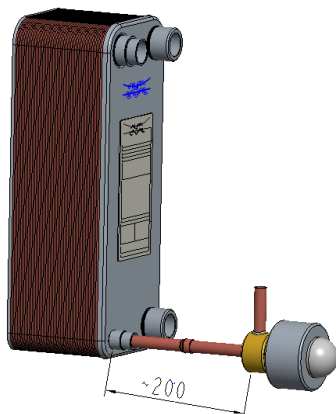
Subject ACH43 installation guideline for chillers.		Ref. No. 99402595_rev01	Page 1 / 1
Issued by RRN	Department R&D	Date 10.02.2021	Approved by Matteo Munari
Recipient All			

SINGLE CIRCUIT MODEL Standard connections for ACH43



This Evaporator has one parallel refrigerant circuits S3-S4 (T3-T4), and one water circuit S1-S2(T1-T2)

ACH43				Ref. R410A, R32				
range N°plate AH	Design HF [1]	Application	Capacity range kW	In-pipe	Inlet Refrigerant side S3 (T3) (1)		Out Refrigerant side S4 (T4) (2)	Side Brine side S1-S2 (T1-T2) (2)
	KW/m2							
10 ÷ 30	8 ÷ 15	A/C	3-20	1/4"	L48	no pmx (6,5 - 1/4")	H37 (22,3 - 7/8")	A41 (1" Ext. Threaded)
	4 ÷ 8	HP	2-10	1/2"	D75	pmx 4 (12,8 - 1/2")	H37 (22,3 - 7/8")	A41 (1" Ext. Threaded)
30 ÷ 60	8 ÷ 15	A/C	10-35	1/2"	D72	pmx 5 (12,8 - 1/2")	H37 (22,3 - 7/8")	A41 (1" Ext. Threaded)
	4 ÷ 8	HP	5-20	1/2"	D73	pmx 6 (12,8 - 1/2")	H37 (22,3 - 7/8")	A41 (1" Ext. Threaded)
62 ÷ 80	8 ÷ 15	A/C	20-50	1/2"	D73	pmx 6 (12,8 - 1/2")	L30 (25,6 - 1")	A41 (1" Ext. Threaded)
	4 ÷ 8	HP	10-25	1/2"	D74	pmx 8 (12,8 - 1/2")	L30 (25,6 - 1")	A41 (1" Ext. Threaded)
82 ÷ 120	8 ÷ 15	A/C	25-70	1/2"	D74	pmx 8 (12,8 - 1/2")	H41 (28,7 -1-1/8")	A41 (1" Ext. Threaded)
	4 ÷ 8	HP	13-35	1/2"	L46	pmx 10 (12,8 - 1/2")	H41 (28,7 -1-1/8")	A41 (1" Ext. Threaded)



[1] - Design HF is Heat Flux calculated as Capacity [kW] / (Frontal area [m2] * Number of Plates [-]) .

For any question, customization or duty outside above suggestions please contact Central Support for item creation.