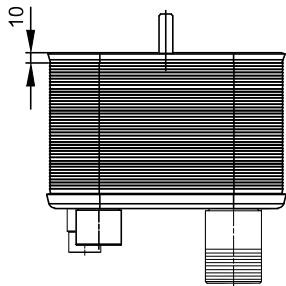
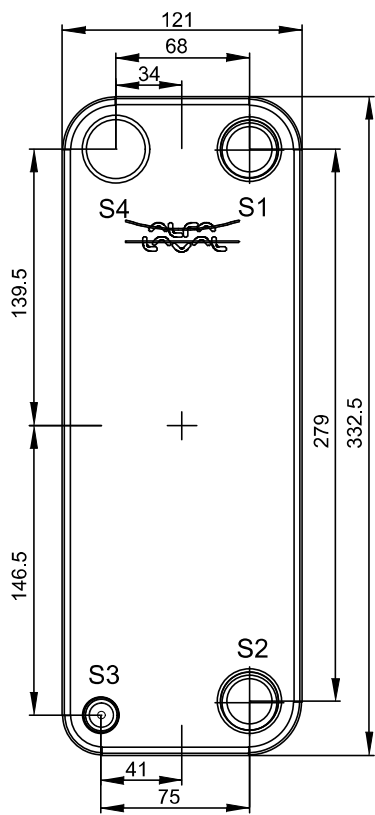
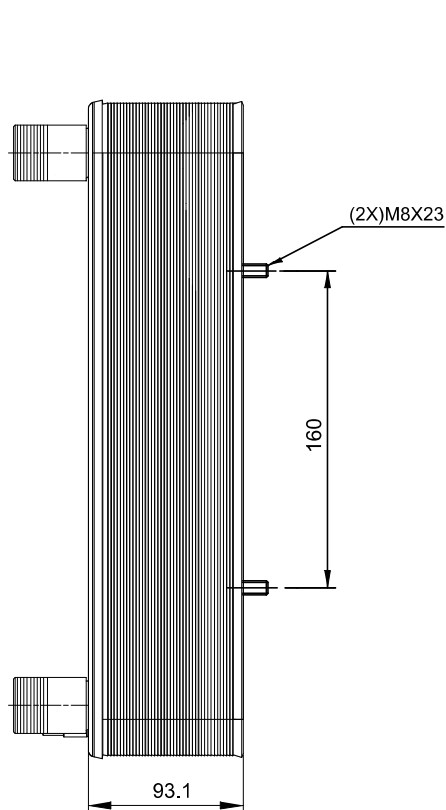
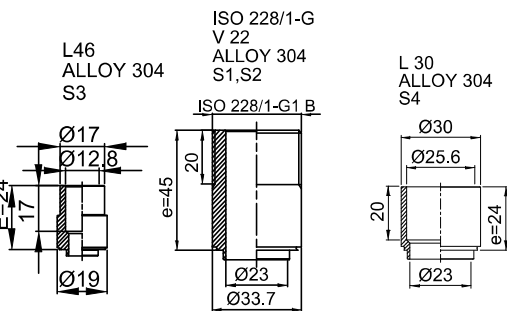


Note that all unique customer requirements (i.e tolerance) need to be verified thru Alfa Laval.



T1 T2 T3 T4 locations on back side correspond to S1 S2 S3 S4 on front side

HEATING SURFACE 2.0 m²
 NETWEIGHT 7.6 kg
 OPERATING WEIGHT 8.89 kg
 PLATE MATERIAL ALLOY 316
 PLATE GROUPING 1*25AHH/1*26AHL

ALL DIMENSIONS IN MILLIMETERS

SIDE	MEDIA	INLET	TEMP.	OUTLET	TEMP.	FLOW RATE	PRESSURE DROP	LIQUID VOL.
1	Water	S1	12.0 °C	S2	7.0 °C	4281 kg/h	29.3 kPa	1.3 dm ³
2	R407C	S3	°C	S4	10.0 °C	553 kg/h	252.0 kPa	1.0 dm ³



PRESSURE VESSEL APPROVAL PED
 ACH43-52AH-F (3075103812)

www.alfalaval.com

CUSTOMER NAME / REF. NO.	TOTAL LENGTH 154 mm TOTAL WIDTH 121 mm TOTAL HEIGHT 333 mm	8/18/2022 REV 0
COMPANY / REF. Alfa Laval d.o.o. EKO Elektrofrigo - Isparivači AC/ACH Isparivač 25 kW	CE	