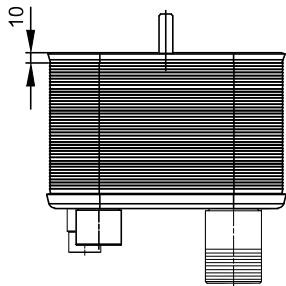
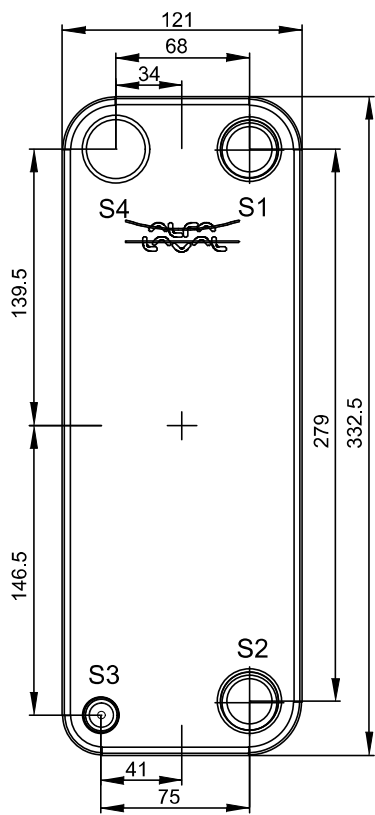
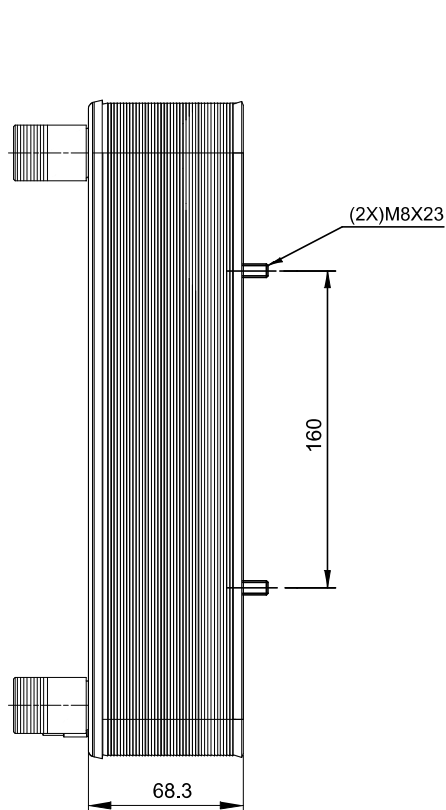
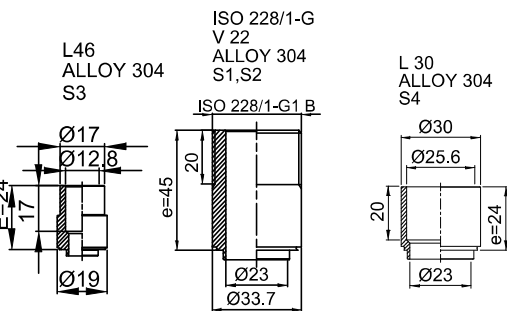


Note that all unique customer requirements (i.e tolerance) need to be verified thru Alfa Laval.



HEATING SURFACE 1.3 m²
 NETWEIGHT 5.8 kg
 OPERATING WEIGHT 6.69 kg
 PLATE MATERIAL ALLOY 316
 PLATE GROUPING 1*17AHH/1*18AHL

T1 T2 T3 T4 locations on back side correspond to S1 S2 S3 S4 on front side

ALL DIMENSIONS IN MILLIMETERS

SIDE	MEDIA	INLET	TEMP.	OUTLET	TEMP.	FLOW RATE	PRESSURE DROP	LIQUID VOL.
1	Water	S1	12.0 °C	S2	7.0 °C	3083 kg/h	29.7 kPa	0.9 dm ³
2	R407C	S3	°C	S4	10.0 °C	399 kg/h	270.9 kPa	0.7 dm ³



PRESSURE VESSEL APPROVAL PED
 ACH43-36AH-F (3075103814)

www.alfalaval.com

CUSTOMER NAME / REF. NO.	TOTAL LENGTH 129 mm TOTAL WIDTH 121 mm TOTAL HEIGHT 333 mm	
COMPANY / REF. Alfa Laval d.o.o. EKO Elektrofrigo - Isparivači AC/ACH Isparivač 18 kW		8/18/2022 REV 0