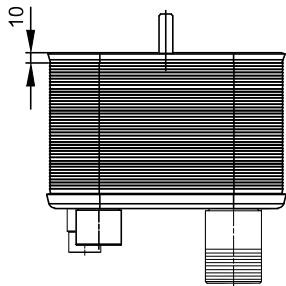
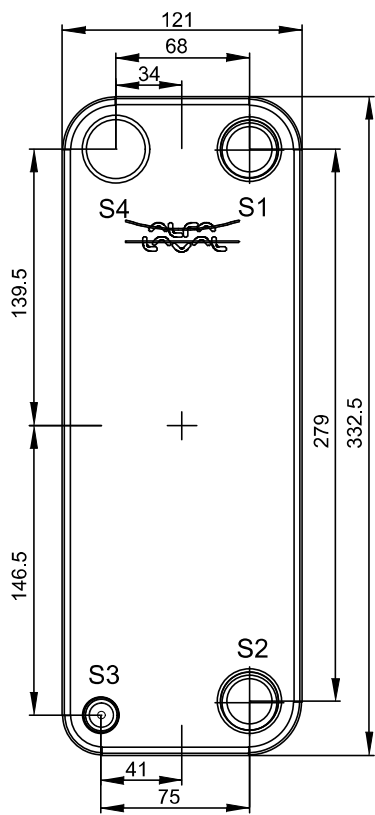
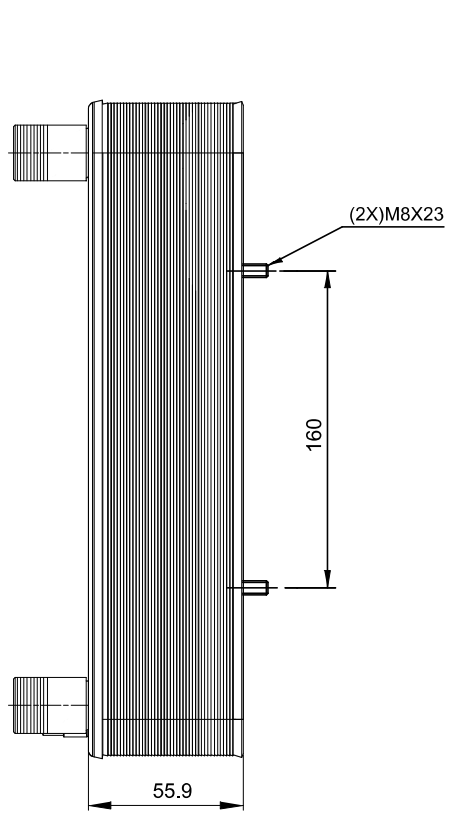
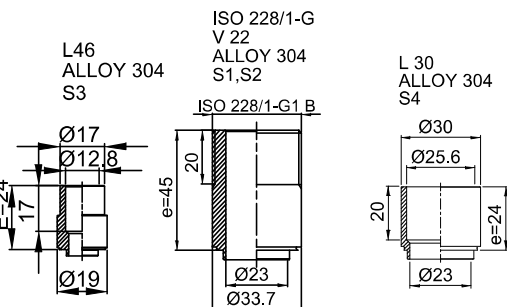


Note that all unique customer requirements (i.e tolerance) need to be verified thru Alfa Laval.



T1 T2 T3 T4 locations on back side correspond to S1 S2 S3 S4 on front side

HEATING SURFACE	1.0 m ²
NETWEIGHT	4.9 kg
OPERATING WEIGHT	5.59 kg
PLATE MATERIAL	ALLOY 316
PLATE GROUPING	1*13AHH/1*14AHL

ALL DIMENSIONS IN MILLIMETERS

SIDE	MEDIA	INLET	TEMP.	OUTLET	TEMP.	FLOW RATE	PRESSURE DROP	LIQUID VOL.
1	Water	S1	12.0 °C	S2	7.0 °C	2398 kg/h	29.1 kPa	0.7 dm ³
2	R407C	S3	°C	S4	10.0 °C	310 kg/h	275.9 kPa	0.5 dm ³



PRESSURE VESSEL APPROVAL PED
ACH43-28AH-F (3075103813)

www.alfalaval.com

CUSTOMER NAME / REF. NO.	TOTAL LENGTH	117 mm
	TOTAL WIDTH	121 mm
	TOTAL HEIGHT	333 mm
COMPANY / REF. Alfa Laval d.o.o. EKO Elektrofrigo - Isparivači AC/ACH Isparivač 14 kW		
		8/18/2022 REV 0