

Customer  
 Date 20.2.2024.  
 Project  
 Reference  
 Quotation No



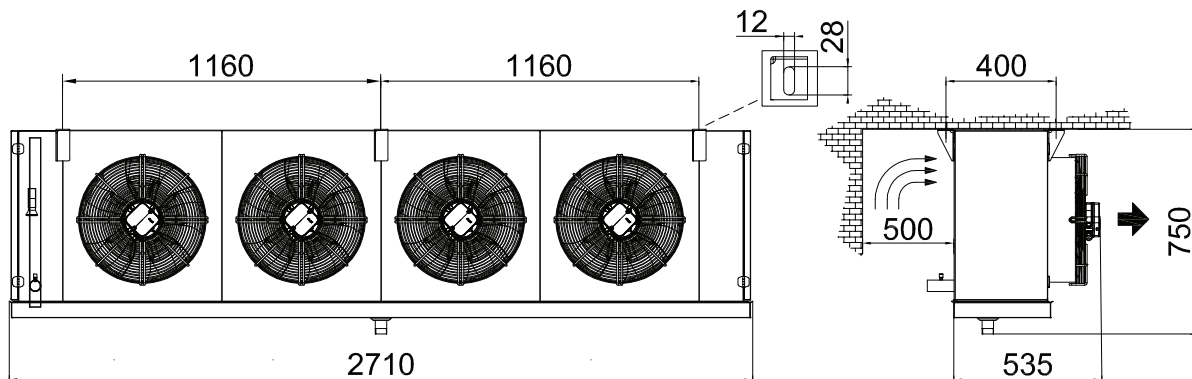
Stefani S.p.A.

Via del Lavoro, 9  
 Castegnero (VI) - ITALY  
 Tel. +39 0444 639 999  
 Fax. +39 0444 638 240

EVAPORATOR

Model 1 x BOREA H 44-4 C 6,5 E 4S

|                           |              |                               |  |
|---------------------------|--------------|-------------------------------|--|
| Capacity                  | 27,4 kW      | Refrigerant                   | R404A  |
| Air Inlet Temperature     | 0,0 °C       | Evaporating Temperature       | Dew -10,0 °C                                 |
| Air Outlet Temperature    | -3,0 °C      | Superheating                  | 5 K  |
| Relative Humidity In      | 79 %         | Condensing Temp               | Dew 40,0 °C                                  |
| Relative Humidity Out     | 92 %         | Subcooling                    | 0 K  |
| Q.ty of condensed water   | 6,1 kg/h     |                               |  |
| Altitude                  | 0 m          |                               |  |
| Air Flow                  | 21400 m³/h   | RPM rate                      | 100 %  |
| Air throw                 | 25,8 m       | Fan Speed                     | 1310 1/min                                   |
| Number fans               | 4            | Noise Power Level             | 79 dB(A)                                     |
| Fan Diameter              | 450 mm       | Noise Pressure Level ISO 3744 | 53 dB(A) at 5 m                              |
| Voltage                   | 230 V        | Power consumption             | 1960 W                                       |
| Frequency                 | 50 Hz        | Nominal Power                 | 1960 W                                       |
| Power Supply              | Single Phase | Nominal Current (*)           | 9,44 A                                       |
| Available Static Pressure | 0 Pa         |                               |  |
| Surface                   | 62,6 m²      | Tubes                         | Copper                                       |
| Internal Volume           | 19,7 dm³     | Fins                          | Aluminium                                    |
| Fin Spacing               | 6,5 mm       | Casing                        | Aluminium Painted / Galvanized Steel Painted |
| Weight                    | 120 kg       | Length                        | 2710 mm                                      |
| Connections IN            | 28 mm        | Height                        | 750 mm                                       |
| Connections OUT           | 42 mm (**)   | Width                         | 535 mm                                       |
|                           |              | PS                            | 30 bar                                       |
| Defrosting                | Electric     | 1x3+5x3=15 kW                 |  |



(\* ) JERP COMPLIANT Current consumption can be different due to the air temperature

NOTE

(\*\*) Warning: connection velocity besides suggested limits!

MasterUnits 2016 - v. 230130  
 08B15642H0B29AF5D000000008A666EFCF9