

Installation guide

Electric expansion valve Type ETS 8M



034R9900

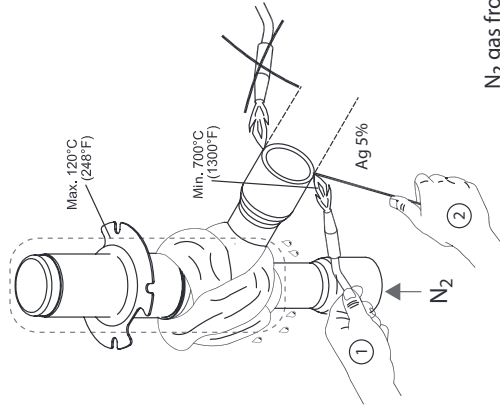
034R9900

<p>Refrigerants / 适用的冷媒 R410A, R32, R407C, R290, R454B, R452B, R454C, R513A, R449B, R404A, R448A, R449A, R515B, R452A, R134a, R1234ze</p>	<p>Refrigerant temperature (JB/T 10212-2016) 流体温度 (JB/T 10212-2016) t_{Min.}: -30 °C / -22 °F, t_{Max.}: 70 °C / 158 °F</p>	<p>Max. working pressure / 最大工作压力 PS / MWP: 4.9 MPa / 49 barg / 710 psig</p>	
<p>Allowable ambient temperature (JB/T 10212-2016) 环境温度 (JB/T 10212-2016) -30 °C / -22 °F - 70 °C / 158 °F</p>	<p>Stepper motor type / 步进电机形式 Unipolar / 单极</p>	<p>Nominal voltage / 额定电压 12V DC</p>	<p>Phase current / 相电流 261 mA</p> <p>Resistance / 电阻 46 Ω</p>
<p>Warning!</p> <p>Do not connect directly to AC / DC power source. Connect valve to appropriate controller / driver only. Do not operate valve while assembling or disassembling. 勿直接与交流或直流电源连接。请仅将阀门连接于合适的控制器。在安装和拆卸阀门时请勿操作电子膨胀阀</p>		<p>1 Mounting Angle / 安装角度</p>	

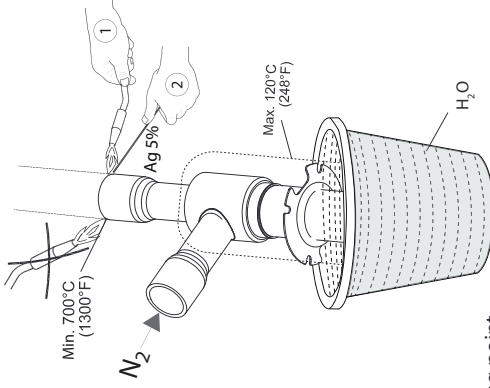
Импортер: ТОВ «Данфосс ТОВ» 04080, Київ 80, п/с 168, Україна

2

Brazing option 1 / 焊接方案 1



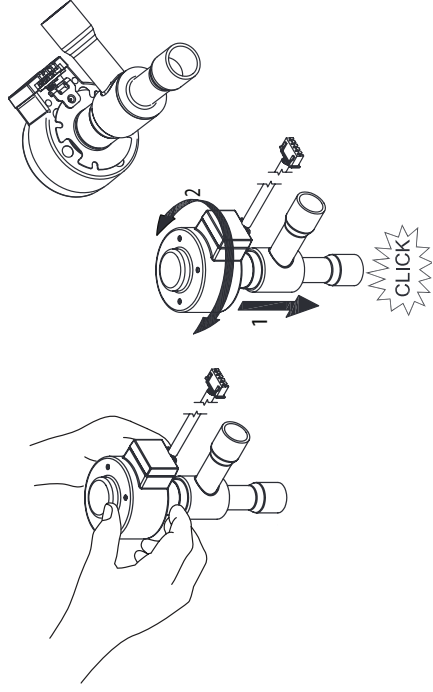
Brazing option 2 / 焊接方案 2



N₂ gas from opposite side of soldering point.
焊点另一端充氮气保护

3

Assembling / 组装



4

Electrical Connection / 电气连接

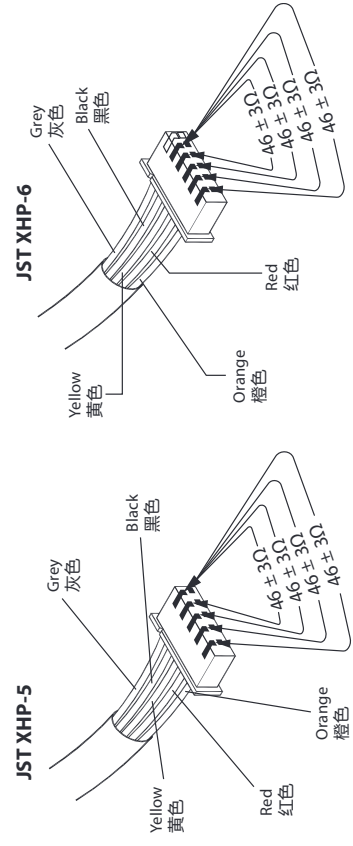


Table:1 Stepper motor open and close sequence / 步进电机开关顺序

Cable Color 电缆颜色	Excitation Sequence 励磁顺序							
	1	2	3	4	5	6	7	8
Orange / 橙色	ON	ON	OFF	OFF	OFF	OFF	OFF	ON
Red / 红色	OFF	ON	ON	ON	OFF	OFF	OFF	OFF
Yellow / 黄色	OFF	OFF	OFF	ON	ON	ON	OFF	OFF
Black / 黑色	OFF	OFF	OFF	OFF	OFF	ON	ON	ON
Grey / 灰色	ON	ON	ON	ON	ON	ON	ON	ON