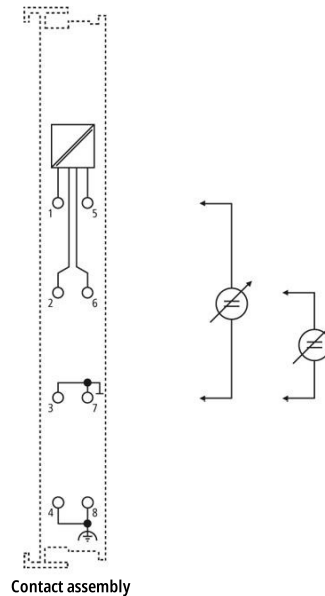
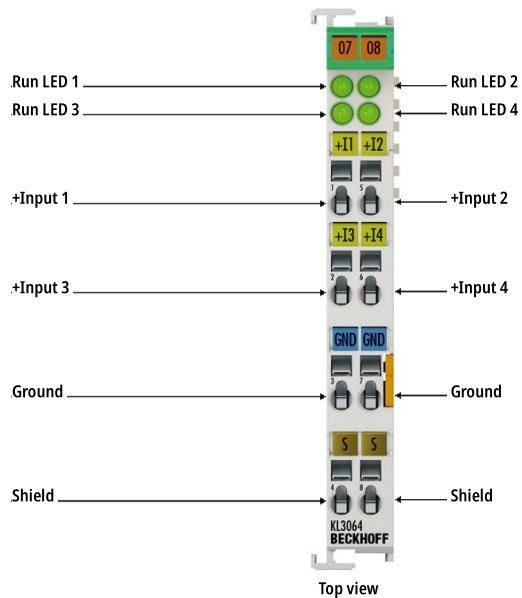
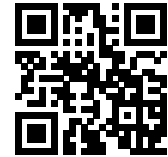


KL3064 | Bus Terminal, 4-channel analog input, voltage, 0...10 V, 12 bit, single-ended, with shield connector



i Product status: Regular delivery

The KL3064 analog input terminal handles signals in the range from 0 to 10 V. The voltage is digitised to a resolution of 12 bits and is transmitted, electrically isolated, to the higher-level automation device. The input channels of a Bus Terminal have a common ground potential. The KL3064 combines four channels in one housing. The run LEDs give an indication of the data exchange with the Bus Coupler.

Product information

Technical Data

Technical data	KL3064, KS3064
Number of inputs	4
Power supply	via the K-bus
Signal voltage	0...10 V
Technology	single-ended
Internal resistance	typ. > 200 kΩ
Common-mode voltage UCM	–
Resolution	12 bit
Conversion time	~ 4 ms
Measuring error	< ±0.3 % (relative to full scale value)

Electrical isolation	500 V (K-bus/signal voltage)
Current consumption power contacts	– (no power contacts)
Current consumption K-bus	typ. 85 mA
Bit width in the process image	input: 4 x 16 bit data (4 x 8 bit control/status optional)
Configuration	no address or configuration setting
Weight	approx. 80 g
Operating/storage temperature	-25...+60 °C/-40...+85 °C
Relative humidity	95 %, no condensation
Vibration/shock resistance	conforms to EN 60068-2-6/EN 60068-2-27
EMC immunity/emission	conforms to EN 61000-6-2/EN 61000-6-4
Protect. class/installation pos.	IP 20/variable
Pluggable wiring	for all KSxxxx Bus Terminals
Approvals/markings	CE, UL, ATEX, DNV GL
Ex marking	II 3 G Ex nA IIC T4 Gc

Housing data	KL-12-8pin	KS-12-8pin
Design form	compact terminal housing with signal LEDs	terminal housing with pluggable wiring level
Material	polycarbonate	
Dimensions (W x H x D)	12 mm x 100 mm x 68 mm	
Installation	on 35 mm DIN rail, conforming to EN 60715 with lock	
Side by side mounting by means of	double slot and key connection	
Marking	Labeling of the BZxxx series	
Wiring	solid conductor (e), flexible conductor (f) and ferrule (a): spring actuation by screwdriver	
Connection cross-section	s*: 0.08...2.5 mm ² , st*: 0.08...2.5 mm ² , f*: 0.14...1.5 mm ²	s*: 0.08...1.5 mm ² , st*: 0.08...1.5 mm ² , f*: 0.14...1.5 mm ²
Connection cross-section AWG	s*: AWG 28...14, st*: AWG 28...14, f*: AWG 26...16	s*: AWG 28...16, st*: AWG 28...16, f*: AWG 26...16
Stripping length	8...9 mm	9...10 mm
Current load power contacts	I _{max} : 10 A	

*s: solid wire; st: stranded wire; f: with ferrule

Ordering Information

Ordering information	
KL3064	Bus Terminal, 4-channel analog input, voltage, 0...10 V, 12 bit, single-ended, with shield connector

KS3064	Bus Terminal, 4-channel analog input, voltage, 0...10 V, 12 bit, single-ended, with shield connector, pluggable wiring
KL3064-0010	Siemens S5 format
KL3064-0011	voltage level 0...20 V
KL3064-0050	Siemens S7 format
