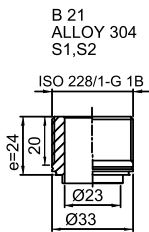
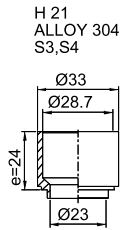


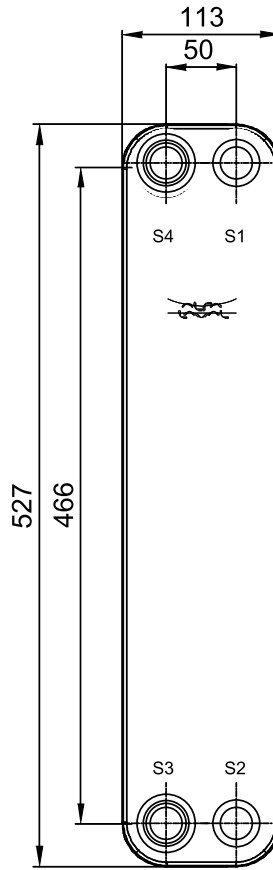
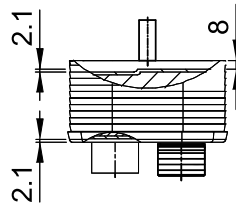
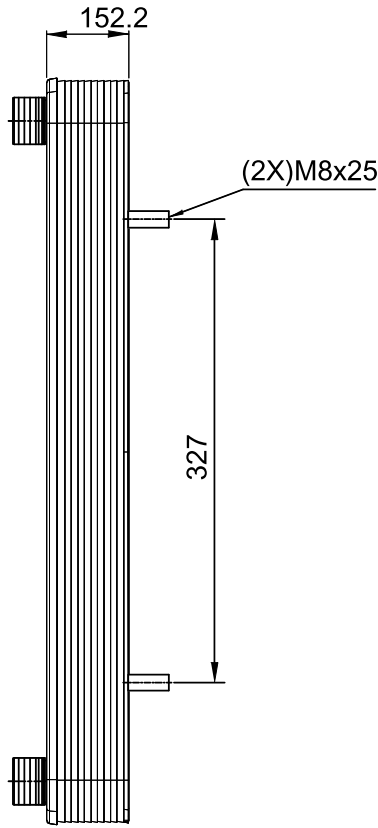
Note that all unique customer requirements (i.e tolerance) need to be verified thru Alfa Laval.



B 21
ALLOY 304
S1,S2



H 21
ALLOY 304
S3,S4



HEATING SURFACE m²
NETWEIGHT 12.8 kg
OPERATING WEIGHT kg
PLATE MATERIAL ALLOY 316
PLATE GROUPING 1*29H/1*30H

Frameplate is depressed 2.1 mm at connections S3 and S4 if holed.
Pressureplate is depressed 2.1 mm at connections T3 and T4 if holed.

T1 T2 T3 T4 locations on back side correspond to S1 S2 S3 S4 on front side

ALL DIMENSIONS IN MILLIMETERS

SIDE	MEDIA	INLET	TEMP. °C	OUTLET	TEMP. °C	FLOW RATE kg/h	PRESSURE DROP kPa	LIQUID VOL. dm ³
1	Water	S1	°C	S2	°C	kg/h	kPa	3.1 dm ³
2	Water	S3	°C	S4	°C	kg/h	kPa	3.0 dm ³

PRESSURE VESSEL APPROVAL

PED

CB60-60H-F (3287104973)

www.alfalaval.com

CUSTOMER NAME / REF. NO.

TOTAL LENGTH 193 mm
TOTAL WIDTH 113 mm
TOTAL HEIGHT 527 mm

COMPANY / REF.
EKO ELEKTROPRIGODNO DOBRO BRATSKO