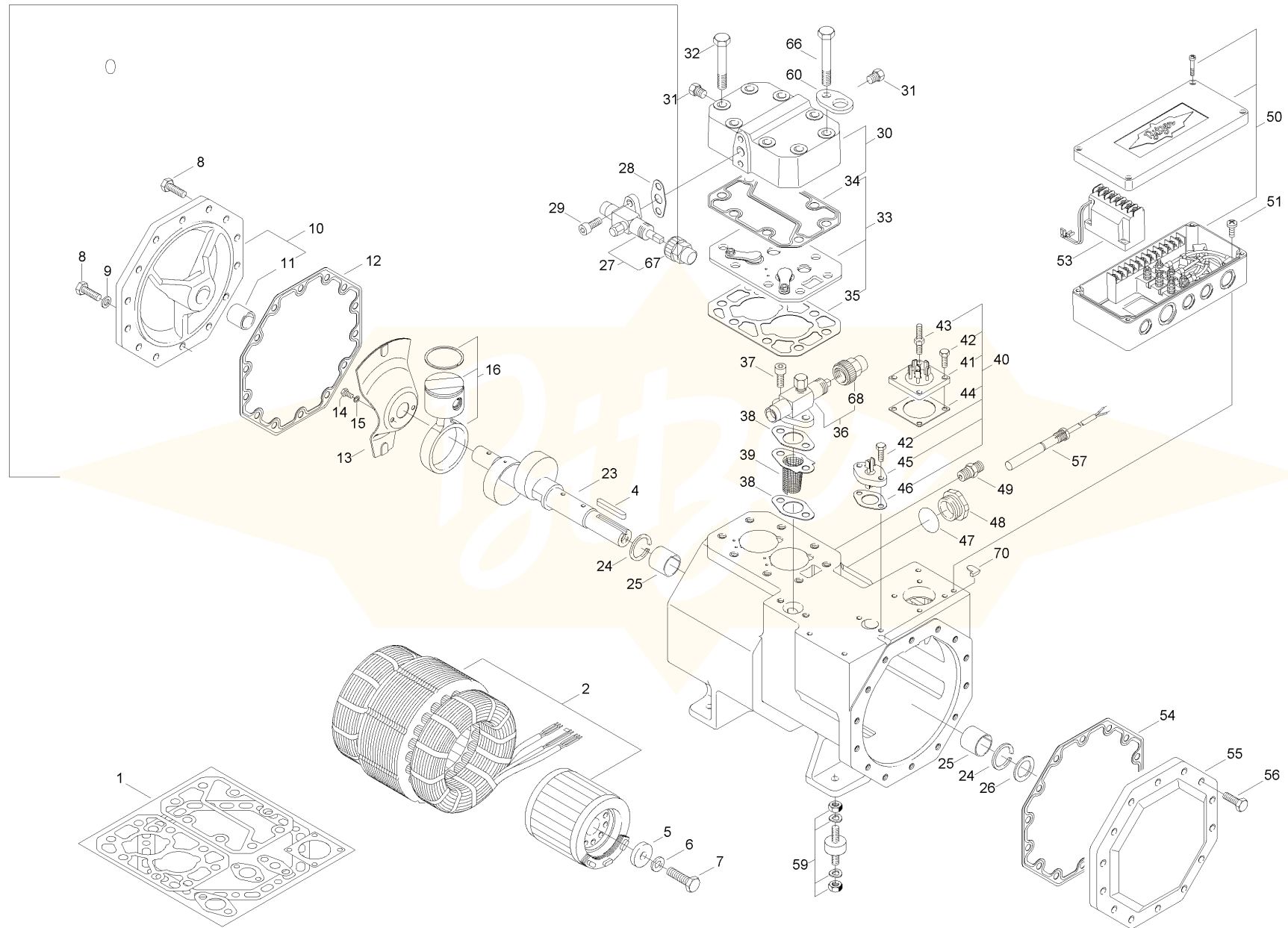


# Compressor





## Compressor

| Item no. | Rec. Spare Part! | Article no. | Description               | Quantity |
|----------|------------------|-------------|---------------------------|----------|
| 19       |                  | 38340140    | wrist pin                 | 2        |
| 59       |                  | 37000019    | vibration damper set      | 1        |
| 33       | ✓                | 30405503    | valve plate               | 1        |
| 70       |                  | 37507901    | Train plug                | 1        |
| 24       |                  | 31210301    | Thrust washer             | 2        |
| 15       |                  | 38215005    | thrust washer             | 2        |
| 40       |                  | 34342801    | terminal plate kit        | 1        |
| 41       |                  | 34550015    | Terminal plate            | 1        |
| 45       |                  | 34550401    | Terminal plate            | 1        |
| 50       |                  | 34350901    | terminal box              | 1        |
| 39       | ✓                | 36201204    | suction gas filter        | 1        |
| 21       |                  | 32052501    | spring washer             | 4        |
| 6        |                  | 38220105    | Single coil spring washer | 1        |
| 48       | ✓                | 36181501    | Sight Glass               | 1        |
| 27       | ✓                | 36131511    | shut-off valve            | 1        |
| 36       | ✓                | 36131510    | shut-off valve            | 1        |
| 31       |                  | 36610001    | Sealing Plug              | 2        |
| 43       |                  | 31502701    | Screw for grounding       | 1        |
| 49       |                  | 36150122    | Schrader valve            | 1        |
| 20       |                  | 38223102    | retaining ring with lugs  | 4        |
| 67       |                  | 36620116    | Protective Cap            | 1        |
| 68       |                  | 36620116    | Protective Cap            | 1        |

## Compressor

| Item no. | Rec. Spare Part! | Article no. | Description        | Quantity |
|----------|------------------|-------------|--------------------|----------|
| 53       | ✓                | 34702804    | protection device  | 1        |
| 53       | 2                | 34703504    | protection device  | 1        |
| 53       | 2                | 34703504    | protection device  | 1        |
| 53       | ✓                | 34702805    | protection device  | 1        |
| 18       |                  | 30271103    | piston             | 2        |
| 4        |                  | 38400103    | Parallel key       | 1        |
| 51       |                  | 38050154    | Oval head screw    | 4        |
| 13       |                  | 32110502    | oil splasher plate | 1        |
| 55       |                  | 30522702    | housing cover      | 1        |
| 32       |                  | 38005604    | hexagon head screw | 7        |
| 8        |                  | 38015554    | hexagon head screw | 14       |
| 42       |                  | 38010405    | Hexagon head screw | 5        |
| 56       |                  | 38015554    | hexagon head screw | 14       |
| 7        |                  | 38016902    | hexagon head screw | 1        |
| 66       |                  | 38005614    | hexagon head screw | 1        |
| 14       |                  | 38015302    | Hexagon head screw | 2        |
| 1        | ✓                | 37283003    | gasket set         | 1        |
| 47       | ✓                | 37220010    | gasket ring        | 1        |
| 9        |                  | 38240130    | Gasket ring        | 1        |
| 12       |                  | 37293702    | gasket             | 1        |
| 34       |                  | 37261701    | Gasket             | 1        |
| 54       |                  | 37293702    | gasket             | 1        |



## Compressor

| Item no. | Rec. Spare Part! | Article no. | Description                    | Quantity |
|----------|------------------|-------------|--------------------------------|----------|
| 46       |                  | 37271801    | Gasket                         | 1        |
| 28       |                  | 37271301    | Gasket                         | 1        |
| 44       |                  | 37293801    | Gasket                         | 1        |
| 38       |                  | 37270203    | gasket                         | 2        |
| 35       |                  | 37251404    | gasket                         | 1        |
| 60       |                  | 32035402    | Eyebolt                        | 1        |
| 23       |                  | 30110950    | Eccentric shaft                | 1        |
| 5        |                  | 31300017    | Disk                           | 1        |
| 30       |                  | 30236012    | cylinder head                  | 1        |
| 57       | ✓                | 34322402    | crankcase heater               | 1        |
| 61       |                  | 34341714    | connection to ground, complete | 1        |
| 16       |                  | 30229871    | connecting rod / piston        | 2        |
| 17       |                  | 30212901    | connecting rod                 | 2        |
| 22       |                  | 38230086    | compression ring               | 2        |
| 29       |                  | 38030602    | Cheese head screw              | 2        |
| 37       |                  | 38030602    | Cheese head screw              | 2        |
| 2        |                  | 34602212    | built-in motor                 | 1        |
| 10       |                  | 30510774    | bearing cover                  | 1        |
| 25       |                  | 31111216    | bearing bush                   | 2        |
| 11       |                  | 31111215    | bearing bush                   | 1        |
| 26       |                  | 38209111    | Adjusting washer               | 1        |